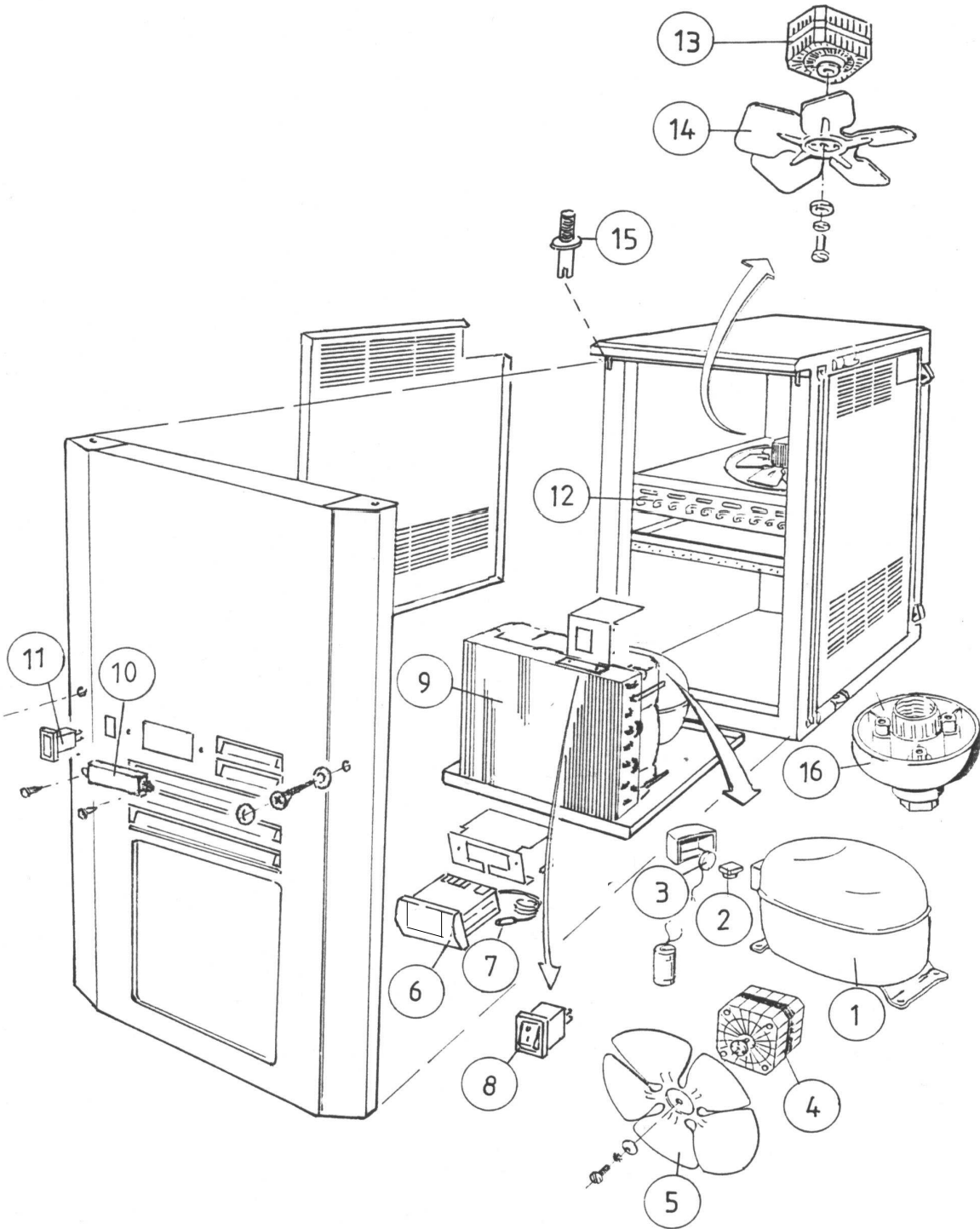


**EU/MU(SW)**



|                  |
|------------------|
| <b>EU/MU(SW)</b> |
|------------------|

| NR | ONDERDEEL                        | PARTS               | CODE      |
|----|----------------------------------|---------------------|-----------|
| 1  | Compressor CAE4440Y              | Compressor CAE4440Y | 001020135 |
| 2  | Startrelais                      | Start relais        | 001050123 |
| 3  | Clixon                           | Clixon              | 001010117 |
| 4  | Fanmotor 5 W                     | Fan motor 5W        | 007030243 |
| 5  | Fanvleugel Ø200mm z              | Fan wing Ø200mmm    | 007030302 |
| 6  | Thermostaat                      | Thermostat          | 005050168 |
| 7  | Voeler thermostaat               | Thermostat sensor   | 005050334 |
| 8  | Schakelaar aan/uit               | ON/OFF switch       | 008040101 |
| 9  | Condensor STN7321                | Condenser STN7321   | 002010104 |
| 10 | Beschermkap                      | Thermostat cover    | 005050319 |
| 11 | Schakelaar verlichting (SW)      | Light switch (SW)   | 008040127 |
| 12 | Verdamper                        | Evaporator          | 002030119 |
| 13 | Fanmotor 12 W                    | Fan motor 12W       | 007030203 |
| 14 | Fanvleugel Ø230mm                | Fan wing Ø230mmm    | 007030303 |
| 15 | Scharnierpen                     | Upper door hinge    | 013040034 |
| 16 | Poot                             | Leg                 | 013060057 |
|    | Inschuifunit EU/MU               | Unit EU/MU          | 214298D   |
|    | Inschuifunit verlichting EU/MUSW | Unit light EU/MUSW  | 214299D   |

